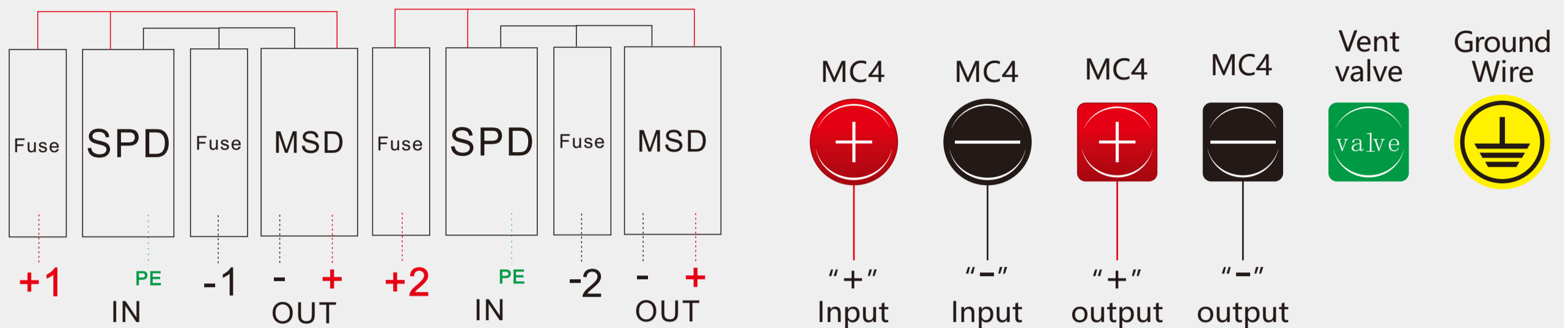


WIRING METHOD



FEATURES

1. The PV combiner box is suitable for photovoltaic grid-connected and off-grid power generation system.
2. It is configured with photovoltaic dedicated high-voltage lightning arrester, DC fuse and circuit breaker to provide short circuit fault protection and lightning protection.
3. It has protection function of overvoltage and overcurrent to avoid damage to solar panels and inverters when the fault occurs.
4. It is also used to reduce the connection of the PV array to the inverter, optimize the system structure, improve the reliability and maintainability of the system, make the PV system as its best.
5. IP65 design, waterproof, anti dust and anti-UV protection.
6. Strict test for high and low temperature.
7. The installation adopts busbar connection method to reduce the number of wire connections, effectively reduce electrical safety hazards caused by loose joints, and enhance electrical safety.

TECHNICAL SPECIFICATION

Product Name	PV Combiner Box
Type Code	YRPVB-2/2ISO
Rated Voltage	1000V
Operation	25A
Input	2StringS
Output	2String
Temperature Range	-25°C~+60°C
Protection Level	IP65
Enclosure Material	HA
DC MCD	4P 3 2 A 1000Vdc
DC SPD	3P 20-40kA 1000Vdc
DC Fuse	25A 1000Vdc 10x38mm

INSTRUCTION:

1. Box input: Connect the panel connectors (module output and combiner input). make sure the negative wire of module output connected to the blue area(as instructed); the positive wire of module output connected to the red area(as the picture instructed).
2. Box Output: Connect PV wires to the output terminals of DC circuit breaker(both "+" and "-" ; as the picture instructed), connect the ground wire to the ground terminal of DC arrester. All the output wires separately pass through the cable glands, make sure all the cable glands properly tightend.

Notice:

1. All connections must be carried out under the state of power failure.
2. Let the professional electrical engineer carry on connecting line.
3. The flammable and explosive are forbidden in the installing concourse.

WARRANTY&SERVICE

Standard Combiner Boxes come with 2 years warranty, except on the consumables such as fuses. If you have any questions, feel free to contact us.